



Bar Stool



Counter Stool

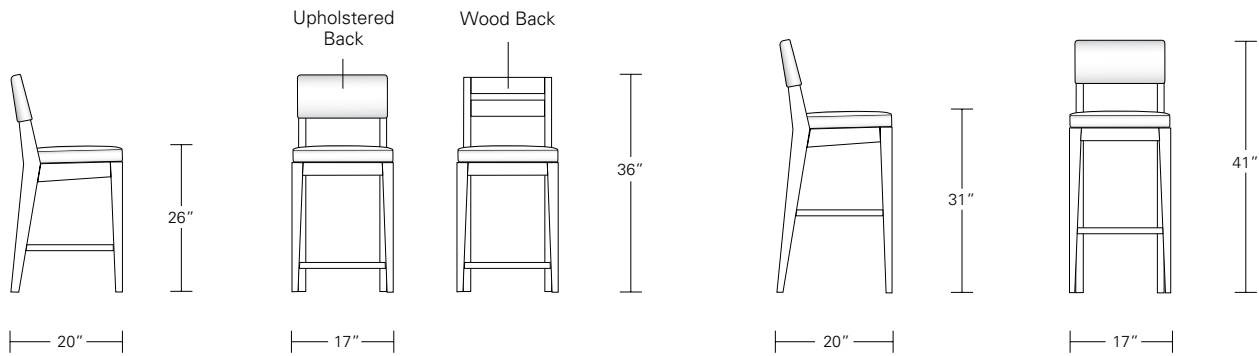


CHEVRON BAR AND COUNTER STOOL

21W x 22D x 40/45H

Shown in Grey Walnut in COL.

With their tapered, angular legs, softly-profiled backs and brushed aluminum footrests, these full-sized stools echo mid-century design. They are available in counter and bar heights. Swivel option available.

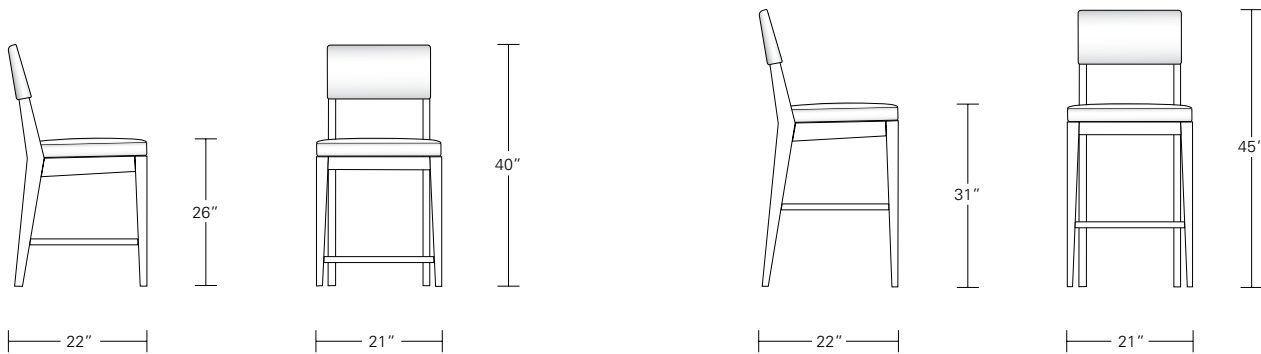


Cadet Counter Stool

17"W x 20"D x 36"H

Cadet Bar Stool

17"W x 20"D x 41"H



Chevron Counter Stool

21"W x 22"D x 40"H

Chevron Bar Stool

21"W x 22"D x 45"H

DESCRIPTION	FINISH OPTIONS	
<p>Cadet & Chevron Stool: Solid wood frame with upholstered seat. Brushed aluminum toe rail on stool.</p> <p>Standard Options: COM or COL. Upholstered or wood seat. Seat with top stitching. Swivel seat.</p> <p>Custom Orders: Custom sizes, woods and finishes are available. Please request a price quotation.</p>	<p>Standard - Natural / Stained:</p> <p>Ash, Bronze Ash, Burnt Ash, Ebonized Ash, Grey Ash, Mahogany, Medium Mahogany, Oak, Bluff Oak, Grey Oak, Fumed Oak, Walnut, Medium Walnut, Dark Walnut, Ebonized Walnut, Grey Walnut, Silver Walnut, Terra Walnut, Bronze Walnut, Claro Toned Walnut.</p>	<p>Premium - Cerused / Bleached:</p> <p>Bleached Ash, Cerused Ash, Cerused Bronze Ash, Cerused Burnt Ash, Cerused Mahogany, Cerused Dark Mahogany, Bleached Walnut, Cerused Walnut, Cerused Grey Walnut, Cerused Silver Walnut, Cerused Bronze Walnut, Cerused Oak.</p>
<p>Fabric and Leather Requirements</p> <p>COM: 1 yard for stool with upholstered back, 3/4 yard for stool with wood back. 54" wide plain fabric. Repeats and fabric less than 54" wide may require additional yardage.</p> <p>COL: 18 sqft. for stool with upholstered back, 15 sqft. for stool with wood back. Hides need to be 50-55 square feet. Smaller hides may require additional square feet.</p>		