



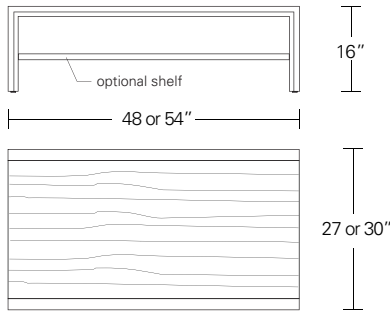
ARRIS SIDE TABLE

28W x 21D x 24H

Shown in Cersed Walnut with Dark Bronze hardware.

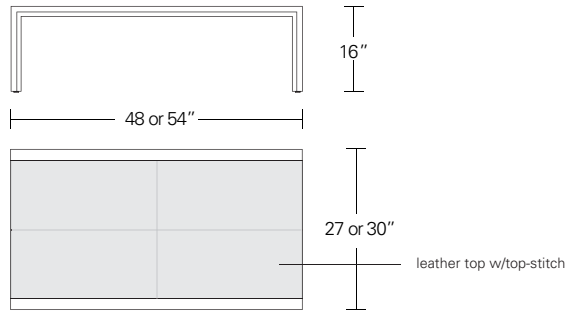
The clean modern form of the Arris Side Table is enhanced by its focused attention to details, most notably the mitered joining of the wood planes along its front edge. The shelf and drawer can be deleted for a more minimal version.

ARRIS COCKTAIL & SIDE TABLE



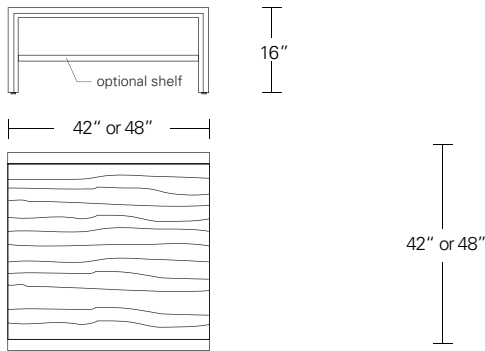
Rectangular Cocktail Table – Wood top

48"W x 27"D x 16"H
54"W x 30"D x 16"H



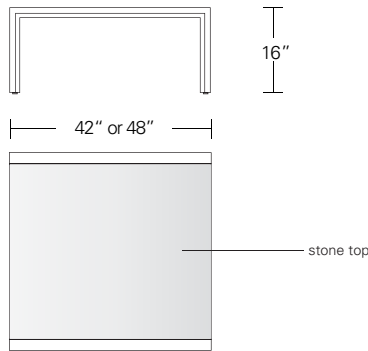
Rectangular Cocktail Table – Leather or Stone top

48"W x 27"D x 16"H
54"W x 30"D x 16"H



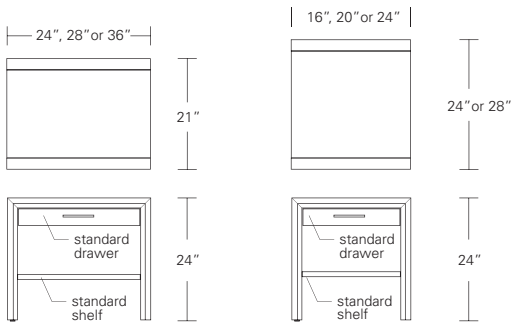
Square Cocktail Table – Wood top

42"W x 42"D x 16"H
48"W x 48"D x 16"H



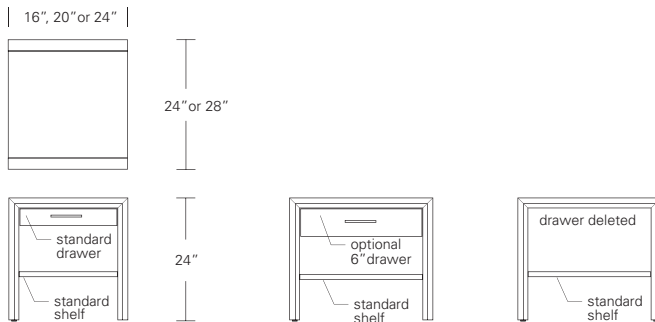
Square Cocktail Table – Leather or Stone top

42"W x 42"D x 16"H
48"W x 48"D x 16"H



Arris Side Table

24"W x 21"D x 24"H
28"W x 21"D x 24"H
36"W x 21"D x 24"H



Arris Slim

16"W x 24" or 28"D x 24"H
20"W x 24" or 28"D x 24"H
24"W x 24" or 28"D x 24"H

DESCRIPTION	FINISH OPTIONS	
<p>Arris Cocktail & Side Table: Profiled and mitered solid wood frame with veneer top.</p> <p>Standard Options: Stone or Leather top. Shelf.</p> <p>Custom Orders: Custom sizes, woods, veneer patterns and finishes are available. Please request a price quotation.</p>	Standard - Natural / Stained:	Premium - Cerused / Bleached:
	<p>Bronze Ash, Burnt Ash, Ebonized Ash, Grey Ash, Medium Mahogany, Oak, Bluff Oak, Ebonized Oak, Grey Oak, Fumed Oak, Walnut, Medium Walnut, Dark Walnut, Ebonized Walnut, Grey Walnut, Silver Walnut, Terra Walnut, Bronze Walnut, Claro Toned Walnut.</p>	<p>Bleached Ash, Cerused Grey Ash, Cerused Bronze Ash, Cerused Burnt Ash, Cerused Mahogany, Cerused Dark Mahogany, Bleached Walnut, Cerused Walnut, Cerused Grey Walnut, Cerused Silver Walnut, Cerused Bronze Walnut, Bleached Oak, Cerused Oak.</p>